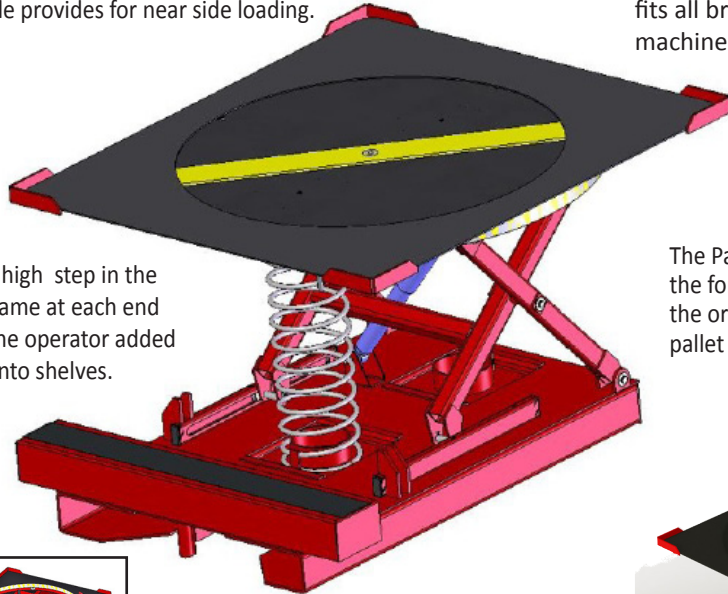


PalletPal[®] OP

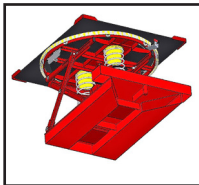
**Order Picker's Friend...
Making the Task Faster,
Safer and Easier**

All the Advantages of an Automatic Level Loader Have Been Adapted For Use On Order Pickers

Level loading for loads from 400 lbs to 2,200 lbs. Manual turntable provides for near side loading.

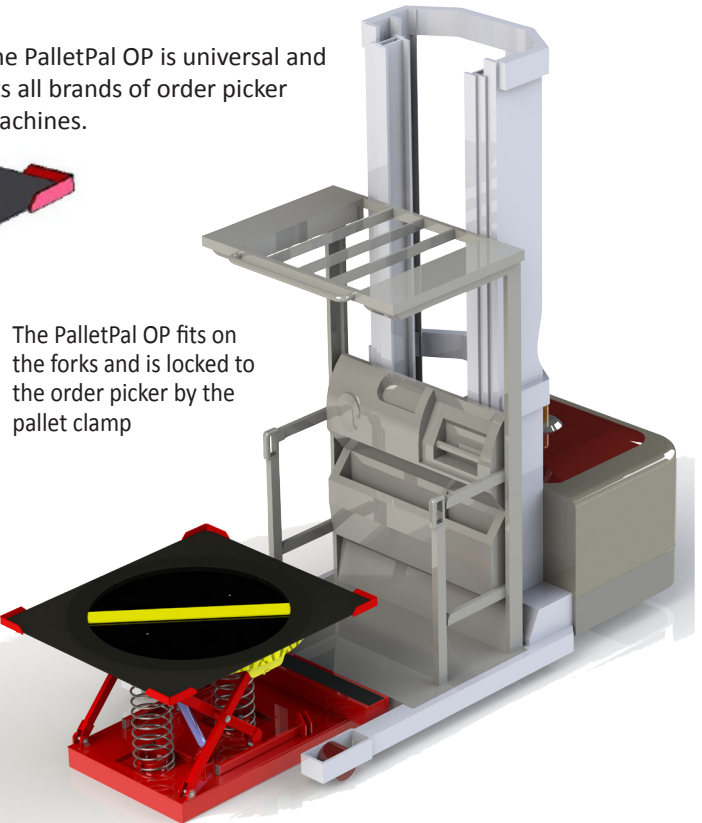


The 4" high step in the base frame at each end gives the operator added reach into shelves.



The platform has welded corner clips and special non-skid surface to hold the pallet squarely in place.

The PalletPal OP is universal and fits all brands of order picker machines.



The PalletPal OP fits on the forks and is locked to the order picker by the pallet clamp



Whether you are pulling orders, replenishing or managing back stock on a traditional order picker lift, the constant reaching and bending to place goods on the pallet is inefficient.

The wasted motion, the stress on the operator including fatigue or even injury can be significantly reduced by positioning the pallet at the optimum elevation. Stacking extra pallets on the forks is not the answer.



SOUTHWORTH
making work faster, safer, and easier

Southworth Products Corp

TEL: (800) 743-1000 FAX: (207) 797-4734

www.SouthworthProducts.com • email: salesinfo@SouthworthProducts.com

PalletPal OP Specifications

CAPACITY	Shipped with 2 springs to set-up either of two load ranges. Loads up to 600 lbs. or 1,200 lbs.	
TURNTABLE PLATFORM	44" W x 50" L with 360° rotation. Special non-slip finish to retain pallets from sliding, and welded corner clips. One adjustable spring loaded detent for four 90° positions, one platform lock. Black phenolic disc cover. Two position (0° - 180°) rotational lock pin.	
BASE FRAME	30" x 47" includes special shaped fork pockets to position the unit on forks of order pickers and a provision for the pallet clamp to engage the baseframe. Step located at one end - 4" H x 40" W.	
COMPRESSED HEIGHT	12" (approximately)	
EXTENDED HEIGHT	30" (approximately) from top of platform to bottom of base.	
FINISH	Red with top of platform black non-skid finish (underside yellow).	
WARRANTY	Lifetime warranty on springs. All parts and labor are covered for one year.	
WEIGHT	490 lb. (approx.) - F.O.B Manila, AR 72442	
SHIPPING NOTE	Units to be shipped fully assembled with springs installed and operation upon delivery.	
OPTIONS	PLATFORM OPTIONS: Any special size platform from 43" x 43" to 50" x 50" . . . add \$250	ready for
	SPRING OPTION: Orange Spring for two additional load ranges up to 1,600 lbs. or 2,200 lbs. . . . add \$90	

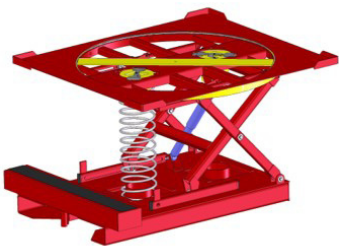
PalletPal OP Spring Ranges

SPRING SET	BEST FOR LOADS WEIGHING UP TO
1 White Spring	600 lbs.
2 White Springs	1,200 lbs.
1 Orange Spring	1,600 lbs.
1 Orange & 1 White Spring	2,200 lbs.

Special note about springs:
Dimensions and spring rates are all approximates. The manufacturing tolerances for compression coil springs are +/- 10%.

Therefore, expected performance should be considered approximate.

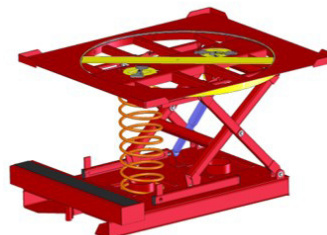
Fully compressed with these spring sets



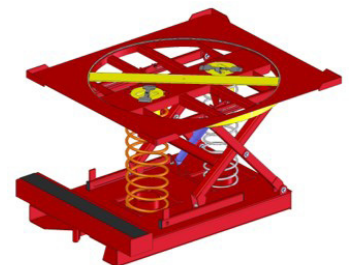
300# = 1 white spring



600# = 2 white springs



800# = 2 orange spring



1,100# = 1 white and 1 orange spring