

SOUTHWORTH

CLL05-68 Owner's Manual Portable DC Powered Mortuary Lift




Model: _____
Serial Number: _____
Date placed in
service: _____

SOUTHWORTH PRODUCTS CORP.
P.O. Box 1380, Portland, ME 04104-1380
Telephone: 800-743-1000 • 207-878-0700
Fax: 207-797-4734
www.SouthworthProducts.com

Contents

1	Introduction.....	4
1.1	Responsibilities of Owner and Users.....	4
1.2	Responsibilities of Operators.....	5
2	Safety.....	7
2.1	Safety Alert Symbols.....	7
2.2	Signal Words.....	7
3	Machine Specifications.....	8
4	Labeling.....	10
4.1	Label Placement Diagram.....	10
5	Setup.....	11
5.1	Lift Setup.....	11
5.2	Testing.....	12
6	Operation.....	13
6.1	Loading.....	13
6.2	Operating the Floor Lock.....	13
6.3	Raising and Lowering.....	14
7	Maintenance & Repair.....	15
7.1	Securing the Lift for Maintenance.....	16
7.1.1	Lifts Equipped Standard or Ball Transfer Platforms.....	16
7.1.2	Lifts Roller Transfer Platforms.....	17
7.2	Periodic Maintenance.....	18
7.2.1	Weekly Maintenance.....	18
7.2.2	Monthly Maintenance.....	18
8	Troubleshooting.....	19
9	Electrical.....	20
9.1	Wiring Schematic.....	20
9.2	Electrical Arrangement.....	21
9.3	Battery Charging.....	22
10	Hydraulics.....	23
10.1	Hydraulic Fluid.....	23
10.2	Hydraulic Schematic.....	23
10.3	Hydraulic Arrangement.....	24
11	Warranty & Contact Information.....	25

 WARNING
Cancer and Reproductive Harm - www.P65Warnings.ca.gov

This label (part # 10095524) is required by California Law. For more information visit:

www.P65Warnings.ca.gov

1. Introduction

1.1 Responsibilities of Owner and Users

Basic Principles - Owners/users shall apply sound principles of safety, training, inspection, maintenance, and expected operating environment. It shall be the responsibility of the owner/user to advise the manufacturer where deflection may be critical to the application.

Manuals - Owners/users shall keep and maintain a copy of the operating and maintenance manual(s) and ensure its availability to operating and maintenance personnel.

Inspection and Maintenance - It shall be the responsibility of the users to inspect and maintain the machine as required to ensure proper operation. The frequency of inspection and maintenance shall be based upon the manufacturer's recommendations and be compatible with operating conditions and the severity of the operating environment. Machinery that is not in proper operating condition shall be immediately removed from service until repaired. Maintenance and repairs shall be made by a qualified person and the repairs shall be in conformance with the manufacturer's recommendations.

Maintenance Safety Precautions - Before adjustments and repairs are started on the machine, the following precautions shall be taken as applicable:

1. Remove the load from the platform.
2. Lower platform to the full down position.
3. Relieve system pressure from all circuits before loosening or removing any components.
4. All controls in the "off" position and all operating features secured from inadvertent motion by brakes, blocks, or other means.
5. Disconnect power and follow established owner/user lockout/tag out policies.
6. Follow precautions and directions as specified by the manufacturer.

Replacement Parts - When parts or components are replaced, they shall be replaced with parts or components approved by the original manufacturer.

Maintenance Training - The user shall ensure only qualified personnel inspect and maintain the machine in accordance with the manufacturer's recommendations.

Operator Training - An owner/user, who directs or authorizes an individual to operate the machine shall ensure that the individual has been:

1. Trained in accordance with the manufacturer's operating manual.
2. Made aware of the responsibilities of operators as outlined in section 1.4 of this manual.
3. Retrained, if necessary, based on the owners/user's observation and evaluation of the operator.

Modifications and additions shall not be performed without the manufacturer's prior written approval. Where such authorization is granted, capacity, operation, and maintenance instruction plates, tags, or decals shall be changed accordingly.

1.2 Responsibilities of Operators

Basic Principles - Operators shall apply sound principles of safety and good judgment in the application, and operation of the machine with consideration given to its intended use and expected operating environment. Since the operator is in direct control of the machine, conformance with good safety practices is the responsibility of the operator. The operator shall make decisions on the use and operation with due consideration for the fact that his or her own safety as well as the safety of other personnel on or near the machine is dependent on those decisions.

General Training - Only personnel who have received general instructions regarding the inspection, application, and operation of machine, including recognition and avoidance of hazards associated with their operation, shall operate the machine. Such topics covered shall include, but not necessarily be limited to, the following issues and requirements:

1. A pre-start inspection
2. Responsibilities associated with problems or malfunctions affecting the operation of the machine
3. Factors affecting stability
4. The purpose of placards and decals
5. Workplace inspection
6. Safety rules and regulations
7. Authorization to operate
8. Operator warnings and instructions
9. Actual operation of the machine. Under the direction of a qualified person, the trainee shall operate the machine for a sufficient period of time to demonstrate proficiency in actual operation of the machine.

Pre-start Inspection - Before use each day or at the beginning of each shift, the machine shall be given a visual inspection and functional test including but not limited to the following:

1. Operating and emergency controls
2. Safety devices
3. Hydraulic system leaks
4. Electrical cables and wiring harness
5. Loose or missing parts
6. Nameplates, precautionary and instructional markings and/or labeling
7. Guarding system
8. Items specified by the manufacturer

Problem or Malfunctions - Any problems or malfunctions that affect the safety of operations shall be repaired prior to the use of the machine.

Before Operations - The operator shall:

1. Read and understand the manufacturer's operating instruction(s) and user's safety rules or have them explained.
2. Understand all labels, warnings, and instructions displayed on the machine or have them explained.

Workplace Inspections - Before the machine is used and during use, the operator shall check the area in which the machine is to be used for possible hazards such as, but not limited to:

1. Bumps, floor obstructions, and uneven surfaces
2. Overhead obstructions and electrical hazards
3. Presence of unauthorized persons
4. Other possible unsafe conditions as noted in the operating manual.

Operator Warnings and Instructions - The operator shall ensure the operation of the machine is in compliance with the following:

1. **Guarding system** - Guarding shall be installed and positioned, and access gates or openings shall be secured per the manufacturer's instructions (If applicable).
2. **Distribution of load** - The load and its distribution on the platform shall be in accordance with the manufacturer's rated capacity for that specific configuration.
3. **Maintaining overhead clearance** - The operator shall ensure that adequate clearance is maintained from overhead obstructions and energized electrical conductors and parts.
4. **Point of Operation** - The operator shall not place any part of their body under the platform.
5. **Precaution for moving equipment** - When other moving equipment or vehicles are present, special precautions shall be taken to comply with the safety standards established for the workplace.
6. **Reporting problems or malfunctions** - The operator shall immediately report to a supervisor any problem(s) or malfunction(s) that become evident during operation. The operator shall ensure all problems and malfunctions that affect the safety of operations are repaired prior to continued use.
7. **Capacity limitation** - Rated capacity shall not be exceeded when loads are transferred to the platform.
8. **Work area** - The operator shall ensure the area surrounding the machine is clear of personnel and equipment before lowering the platform.
9. **Securing the machine** - The operator shall comply with the means and procedures provided to protect against use by an unauthorized person(s).
10. **Altering safety devices** - Safety devices shall not be altered or disabled.
11. **Modifications** or alterations of the machine or the fabrication and attaching of frameworks or the mounting of attachments to the machine or the guarding system shall only be accomplished with prior written permission of the manufacturer.
12. **Assistance to the operator** - If an operator encounters any suspected malfunction or any hazard or potentially unsafe condition relating to capacity, intended use, or safe operation, the operator shall cease operation of the machine and request further instruction from the owner/user.
13. **Problems or malfunctions** - Any problem(s) or malfunction(s) that affect the safety of operations shall be repaired prior to the use of the machine.

2. Safety

All personnel installing, operating, and maintaining this machine shall read and understand this manual. For questions or concerns contact the manufacturer.

This machine shall be installed, operated, and maintained by trained and/or qualified personnel only.

2.1 Safety Alert Symbols

A symbol that indicates a hazard. It is composed of an equilateral triangle surrounding an exclamation mark. The safety alert symbol is only used on hazard alerting signs. It is not used on safety notice and safety instructions signs.



A – For use with **DANGER** signal word; (safety white triangle, safety red exclamation mark, safety red background)

B – For use with **WARNING** signal word; (safety black triangle, safety orange exclamation mark)

C – For use with **CAUTION** signal word; (safety black triangle, safety yellow exclamation mark)

D – For use with **DANGER, WARNING, or CAUTION** signal words; (**D** is a safety yellow triangle with a safety black border and safety black exclamation mark;

2.2 Signal Words



DANGER Indicates a hazardous situation that, if not avoided, will result in death or serious injury.



WARNING Indicates a hazardous situation that, if not avoided, could result in death or serious injury.



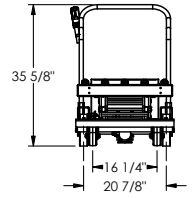
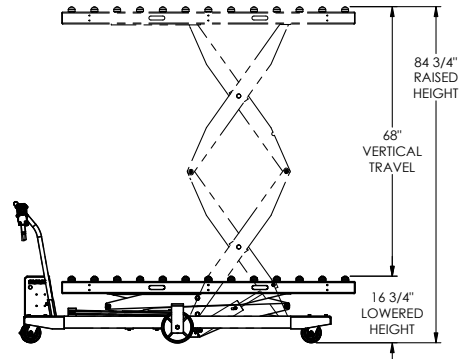
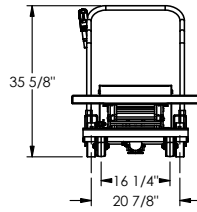
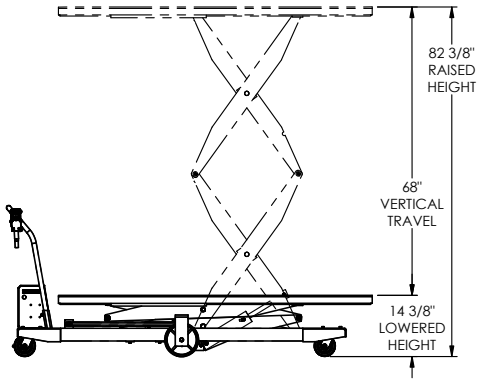
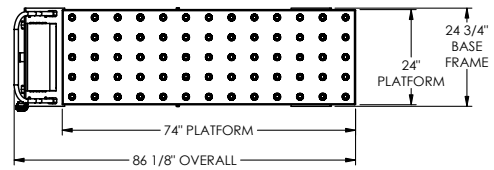
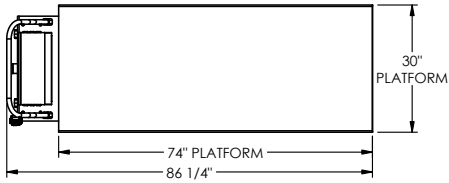
CAUTION Indicates a hazardous situation that, if not avoided, could result in minor or moderate injury.



NOTICE Indicates information considered important, but not hazard-related (e.g., messages relating to property damage).

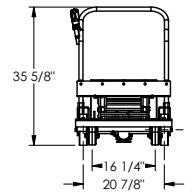
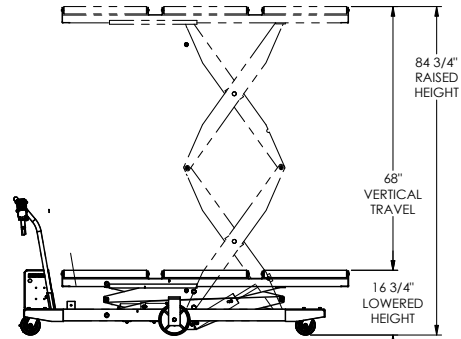
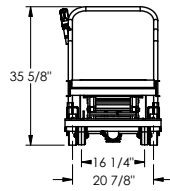
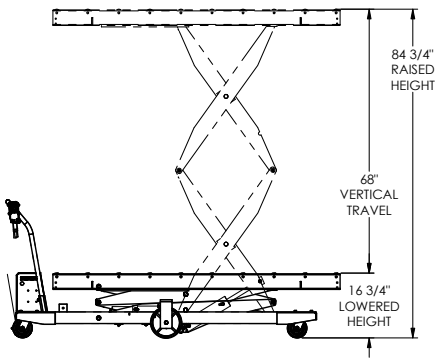
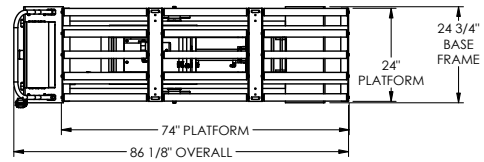
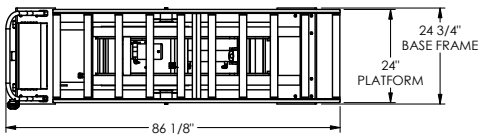
3. Machine Specifications

Model:	Mortuary Lift (CLL05-68)
Overall Length:	86 1/8"
Overall Width:	30" (Standard Platform) 24 3/4" (Roller/Ball Transfer Platform)
Platform Length:	74"
Platform Width:	30" (Standard Platform) 24" (Roller/Ball Transfer Platform)
Lowered Height:	14 3/8" (Standard Platform) 16 3/4" (Roller/Ball Transfer Platform)
Raised Height:	82 3/8" (Standard Platform) 84 3/4" (Roller/Ball Transfer Platform)
Vertical Travel:	68"
Primary & Control Voltage:	12 VDC
Maximum Load Capacity:	500 lb.
Machine Weight:	Approximately 715 lb.



STANDARD PLATFORM

BALL TRANSFER TOP



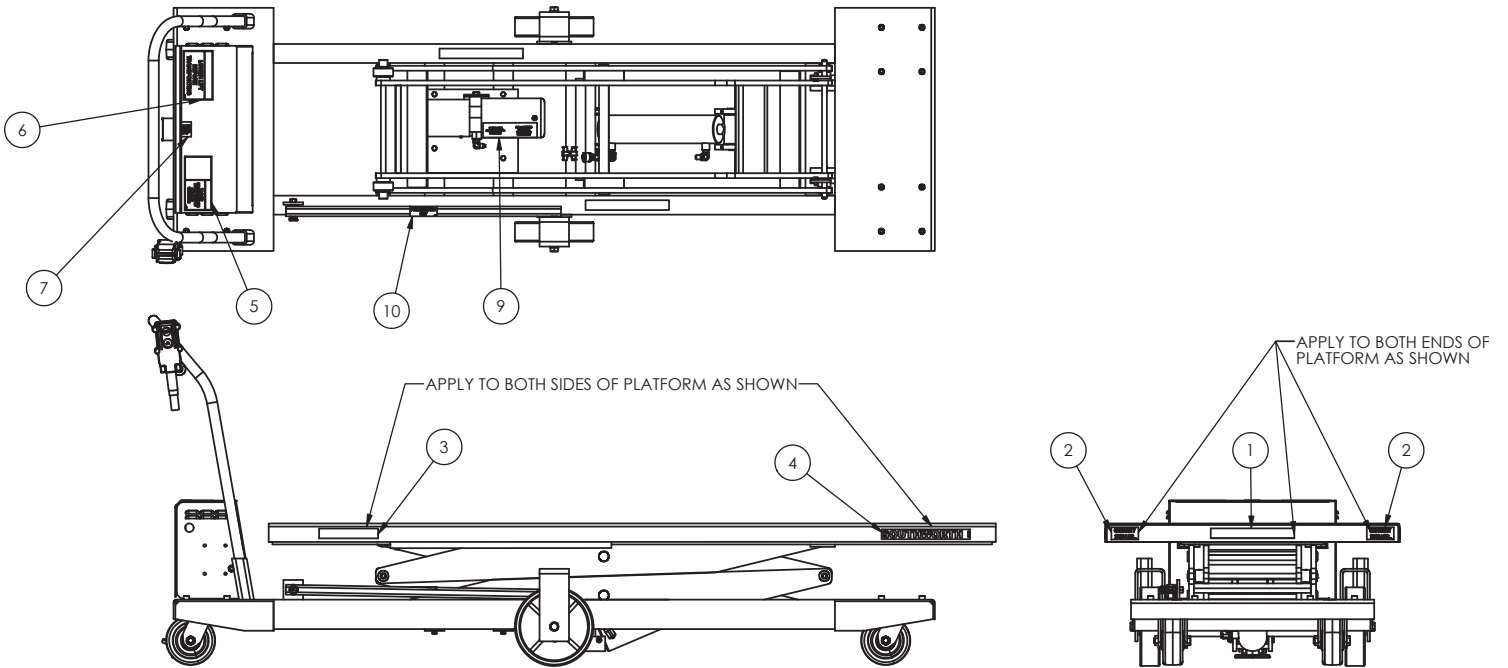
END LOAD ROLLER TOP

SIDE LOAD ROLLER TOP

4. Labeling

This machine has labeling to indicate potential hazards this machine may pose when operating and/or maintaining the machine. All labels must be legible. If any label is missing, damaged, or otherwise illegible contact the manufacturer for replacement labels.

4.1 Label Placement Diagram



10	1	LD DCL 1.00X2.75 FOR MAINTENANCE ONLY	2991927
9	1	LD DCL 1.50X5.50 TANK TO BE FULL ONLY	2986997
8	1	LD WARNING CANCER AND REPRODUCTIVE	10095524
7	1	LD DCL 1.00X1.50 POWER & CONTROL 12 V	2991783
6	1	LD DCL 3.50X5.00 LOWER LIFT BEFORE TRANS	2981615
5	1	LD DCL 2.75X5.50 TO AVOID PERSONAL IN	10006267
4	2	BK-LD DCL 1.00X9.00 SOUTHWORTH	2998429
3	2	LD DCL 1.00X6.00 A DANGER TO AVOID BODIL	10089458
2	4	BK-LD DCL 1.25X2.75 CAPACITY 500 LBS	2998433
1	4	LD DCL 1.00X8.50 TO AVOID BODILY INJURY,	10089457
ITEM NO.	QTY.	DESCRIPTION	PART NO.

5. Setup



To avoid death or serious injury:

Crush and/or shear hazard. Do not enter under the raised lift unless properly secured. See section 7.1 Securing the Lift for Maintenance.

Do not sit, stand, or ride on the platform.

Disconnect and lock out the electrical supply before performing any work on the lift.

The lift must only be used indoors on smooth, level surfaces.

Machine should be in the fully lowered position when not in use.

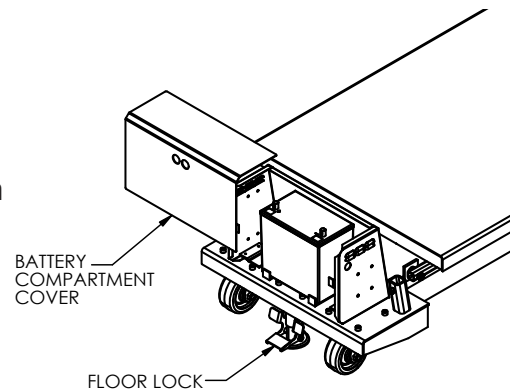
The platform must be in the fully lowered position before moving the lift.

Engage the floor lock before loading/unloading and raising/lowering the platform to prevent the lift from shifting.

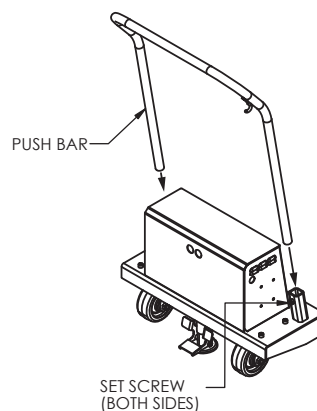
5.1 Lift Setup

1. Remove all packaging. Inspect the machine for damage. Verify all components were received. If damage is found or components are missing do not continue the setup procedure, contact Customer Service.

2. Remove the battery cover by lifting up on the cover. Connect the cables to the battery terminals. Connect the positive lead of the battery charger to the positive terminal on the battery. Ensure the negative lead of the battery charger is connected to the negative terminal on the battery. Replace the battery cover. See section **9.2 Electrical Arrangement**.



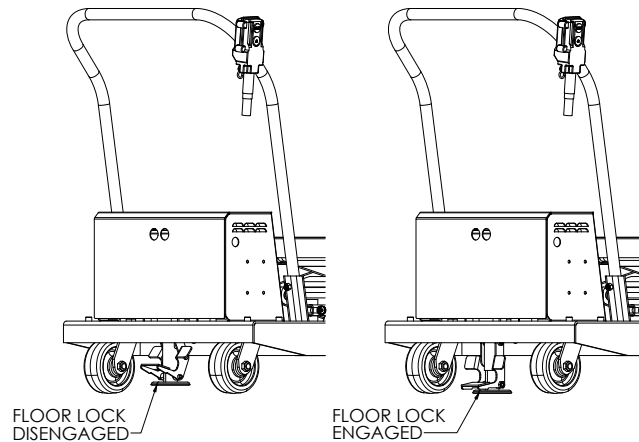
3. Install the push bar into the tubes on either side of the battery compartment. Secure the push bar with the two set screws.



4. Plug the battery charger in and allow the battery to fully charge before continuing. See section **9.3 Battery Charging**.
5. Ensure breather plug has been installed. See section **10.3 Hydraulic Arrangement**.

5.2 Testing

1. Ensure battery cables have been connected and terminal connectors are tight.
2. Ensure battery has been charged.
3. Verify all personnel, tools, and debris are clear of the lift.
4. Verify the floor lock functions correctly by pressing down on the pedal until the floor lock locks into the extended position. Ensure the floor lock holds the lift in place when engaged. Release the floor lock by lifting up on the pedal.



5. Press and hold the up button on the operator controls. The motor should start, and the lift should begin to raise.
6. Raise the lift approximately one foot, then release the button. The motor should turn off and the lift should come to a stop and hold its position.
7. Press and hold the up button and raise the lift to the fully raised position. Release the button when the lift reaches the end of travel.
8. Do not continue to power the lift after the lift reaches the end of travel or the lift may be damaged.
9. Press and hold the down button on the operator controls. The motor should start, and the lift should begin to lower.
10. Lower the lift approximately one foot, then release the button. The motor should turn off and the lift should come to a stop and hold its position.
11. Lower the lift to the fully lowered position.

6. Operation

This machine is to be operated by trained and/or qualified personnel only.

Before operating this machine, read and understand this manual. Inspect the machine for excessive wear and/ or damage. **If excessive wear or damage is found, remove the machine from service and contact maintenance personnel. Do not operate this machine until all necessary repairs are completed.** Inspect all precautionary labeling. If any label is missing or illegible contact the manufacturer for replacement labels. Ensure area is free of debris.

! DANGER

Do not enter beneath the platform. See section 7.1 Securing the Lift for Maintenance.

Do not sit stand or ride on this lift.

Loads that may shift during operating must be secured before operating.

Keep hands, feet, and loose clothing away from moving parts.

Do not load or unload the machine while moving.

The load's center of mass must be centered on the platform. Uneven or off center loading may cause excessive wear or permanent damage.

During operation, operator must be in view of the machine at all times.

The lift must only be used indoors on smooth, level surfaces.

Machine should be in the fully lowered position when not in use.

The platform must be in the fully lowered position before moving the lift.

Engage the floor lock before loading/unloading and raising/lowering the platform to prevent the lift from shifting.

NOTICE

The floor lock is not a braking device. It is not to be used to stop the lift while moving. The lift must come to a complete stop before engaging the floor lock.

6.1 Loading

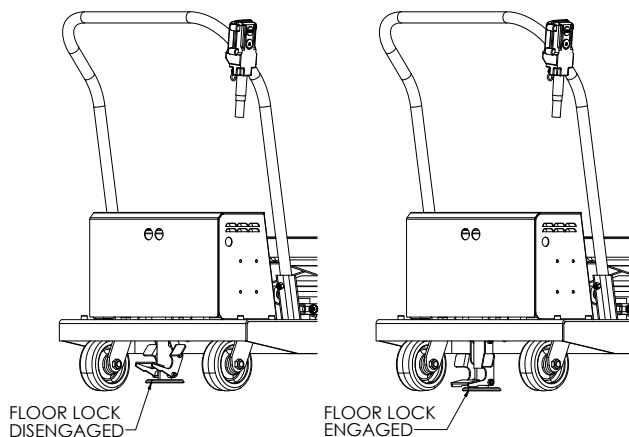
The Center of Gravity (CG) of all loads must be centered on the platform. Uneven loading can lead to excessive wear and premature failure. Any regular, uneven loading must be offset by a counterweight installed on the opposite side of the platform. The combined load must not exceed the rated capacity.

NOTICE

Always secure loads that may roll or shift during operation.

6.2 Operating the Floor Lock

The floor lock must be engaged before loading or unloading the lift and before raising or lowering the lift. To engage the floor lock, press down on the lever until floor lock locks into the extended position. Lift up on the lever to disengage the floor lock.



6.3 Raising and Lowering

To raise the platform, press and hold the UP button on the controls. Release the button when the platform is at the desired height. Release the button once the lift reaches the end of travel. Do not continue to power the lift once the lift reaches the end of travel.

To lower the platform, press and hold the DOWN button on the controls. Release the button when the platform is at the desired height. Release the button once the lift reaches the end of travel. Do not continue to power the lift once the lift reaches the end of travel.

Plug the battery charger in when the lift is not in use. The battery charger supplied with this lift will not over-charge the battery, as such, the battery charger can be left plugged in whenever the lift is not in use. See section **9.3 Battery Charging**.

7. Maintenance & Repair



Only trained and/ or qualified personnel shall perform maintenance or repair of this machine.

Pinch points exist, keep hands, feet, and loose clothing away from moving parts.

Always use appropriate Personal Protective Equipment when performing and maintenance or repair.

Disconnect and lock out electrical supply before performing any maintenance or repair

Do not adjust the hydraulic pressure relief valve. This valve is pre-set and adjustment may cause the machine to fail.

Before performing maintenance or repair to the hydraulic components, relieve pressure in the hydraulic system.

Pressurized fluids can penetrate skin and cause severe injury. Do not use hands or other body parts to detect hydraulic leaks.

Do not enter beneath the raised lift.

All maintenance to be performed with the lift in the lowered position. See section 7.1 Securing the Lift for Maintenance.

7.1 Securing the Lift for Maintenance



The maintenance device supplied with this lift is designed to support the unloaded platform as shown. Any other use of the maintenance device may cause failure of the maintenance device and could cause serious injury or death.

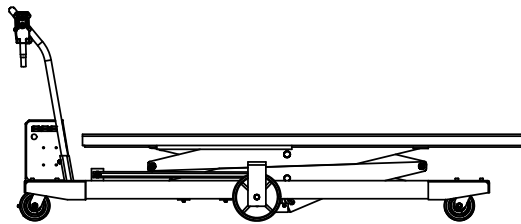
NOTICE

Lifts equipped with roller transfer platforms are not equipped with maintenance devices. All maintenance to be performed with the lift in the lowered position.

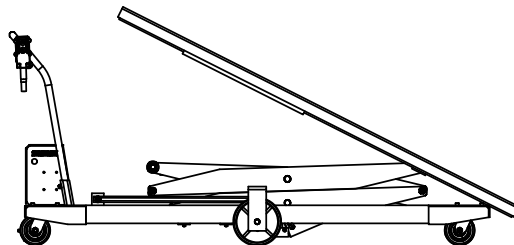
7.1.1. Lifts Equipped Standard or Ball Transfer Platforms

To properly secure the lift for maintenance:

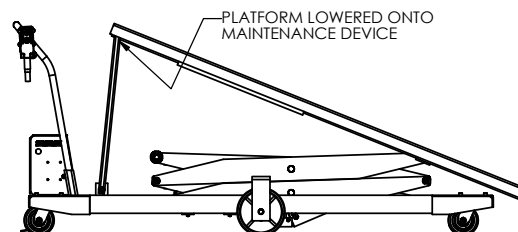
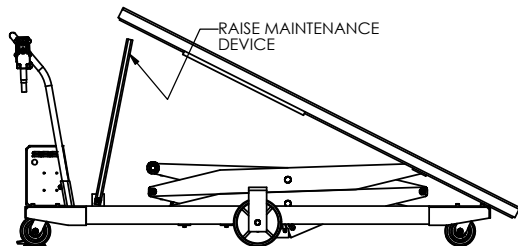
1. Lower the lift to the fully lowered position.
2. Engage the floor lock to prevent unintended movement of the lift during maintenance.
3. Disconnect the power source to prevent unintended operation of the lift during maintenance.
4. Lift up on the roller end (the end closest to the push bar) of the platform and hinge it up high enough to lift the maintenance bar into position. Platform weight: Approximately 162 lb.
5. Lift the maintenance bar up and lower the platform onto the maintenance bar.



LIFT MUST BE IN FULLY LOWERED POSITION



HINGE PLATFORM UP

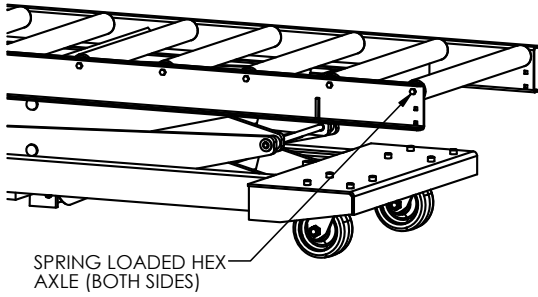


7.1.2. Lifts Roller Transfer Platforms

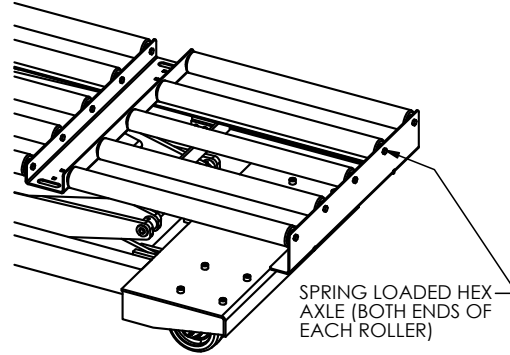
Lifts equipped with roller transfer platforms are not equipped with a maintenance device. All maintenance must be performed with the lift in the fully lowered position. To access the internal components of the lift, the platform rollers can be removed.

To remove the platform rollers press in on the hexagonal, spring loaded, axles and lift the roller out of the platform frame. Take care not to damage the roller when removing it and store it in a safe location during maintenance.

END LOAD ROLLER TRANSFER PLATFORM



SIDE LOAD ROLLER TRANSFER PLATFORM



7.2 Periodic Maintenance

7.2.1. Weekly Maintenance

- Ensure battery is properly secured. Tighten battery strap as necessary.
- Ensure push bar hardware is tight.
- Inspect leg rollers, center pivot pins and bushings, and leg hinge pins and bushings for excessive wear or damage. Repair or replace as necessary.
- Inspect machine for loose or broken fasteners. Repair or replace as necessary.
- Inspect labeling. If any label is damaged or otherwise illegible contact the manufacturer for replacement labels.
- Verify the floor lock operates correctly. Ensure the floor lock holds this lift in place when engaged.

7.2.2. Monthly Maintenance

- Perform Weekly Maintenance.
- Apply a dry PTFE lubricant to non-greased pivot points or rollers.
- Inspect the appearance or the hydraulic fluid. See section **10.1 Hydraulic Fluid**.
- Inspect the hydraulic cylinder, all hydraulic hoses and fittings. Repair or replace as necessary.
- Inspect all electrical wiring and connections. Repair or replace as necessary.
- Inspect limit switches, if applicable. Repair, replace, or adjust as necessary.
- Inspect control switches, cord, and limit switches, if applicable. Repair, replace, or adjust as necessary.
- Inspect all casters. Ensure casters roll smoothly and rubber is not damaged. Repair or replace as necessary. Ensure casters mounting hardware is tight.
- Ensure battery terminals are clean and all connections are tight.
- Inspect platform rollers. Ensure rollers roll smoothly. (Roller/ball transfer tops only)

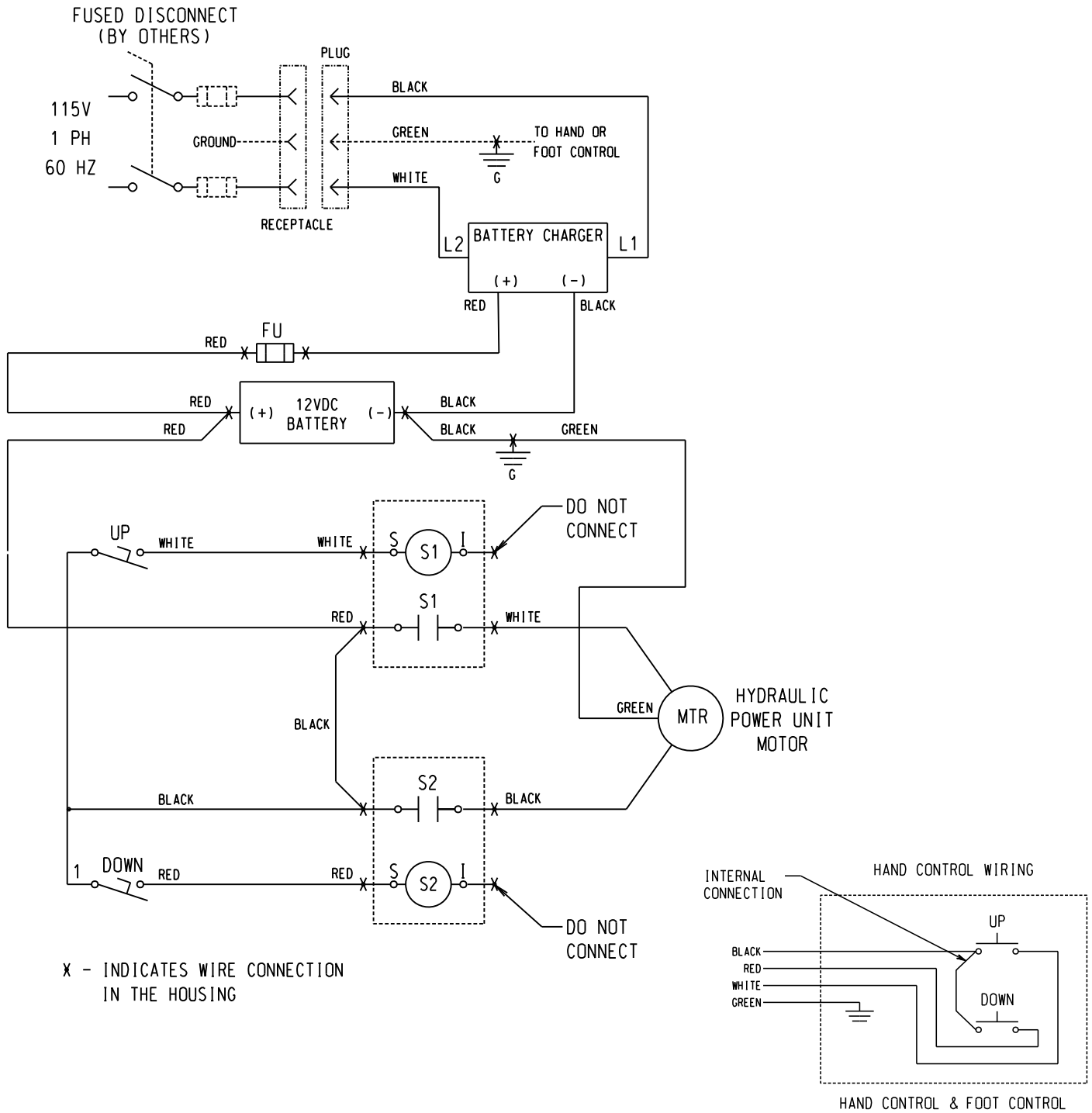
8. Troubleshooting

Problem	Possible Cause	Possible Solution/Check
Lift will not raise/ lower	Lift not powered.	Verify battery connections are tight. Tighten as necessary.
		Verify the battery is charged. Charge battery if necessary. See section 9.3 Battery Charging .
		Disconnect the battery. Inspect the battery terminal for corrosion. Clean terminals and reconnect the battery. Ensure connections are tight.
		Fuse between the positive terminal of the battery and the charger may be blown. Replace as necessary.
	Controls may be malfunctioning.	Inspect controller and cord for damage. Verify continuity through the switches when the buttons are pressed.
	Up/down solenoid is faulty	Verify solenoids are functioning correctly. Replace as necessary.
	Low hydraulic fluid level.	Verify hydraulic fluid level. Add fluid as necessary. See section 10.1 Hydraulic Fluid .
	Hydraulic fluid leak	Inspect all hoses and fittings for leaks. Repair/replace components as necessary.
Lift raises/lowers slowly	Thermal relief valve is open	Allow the hpu to cool, then attempt to raise the lift again. Contact Customer Service if lift will not raise after cooling.
	Load is too heavy	Remove the load and check if lift will raise/lower. The load should not exceed the maximum load capacity specified on the lift.
	Low hydraulic fluid level.	Verify hydraulic fluid level. Add fluid as necessary. See section 10.1 Hydraulic Fluid .
Lift drifts down	Battery voltage is low	Charge the battery, then test again.
	Hydraulic fluid leak	Inspect all hoses and fittings for leaks. Repair/replace components as necessary.

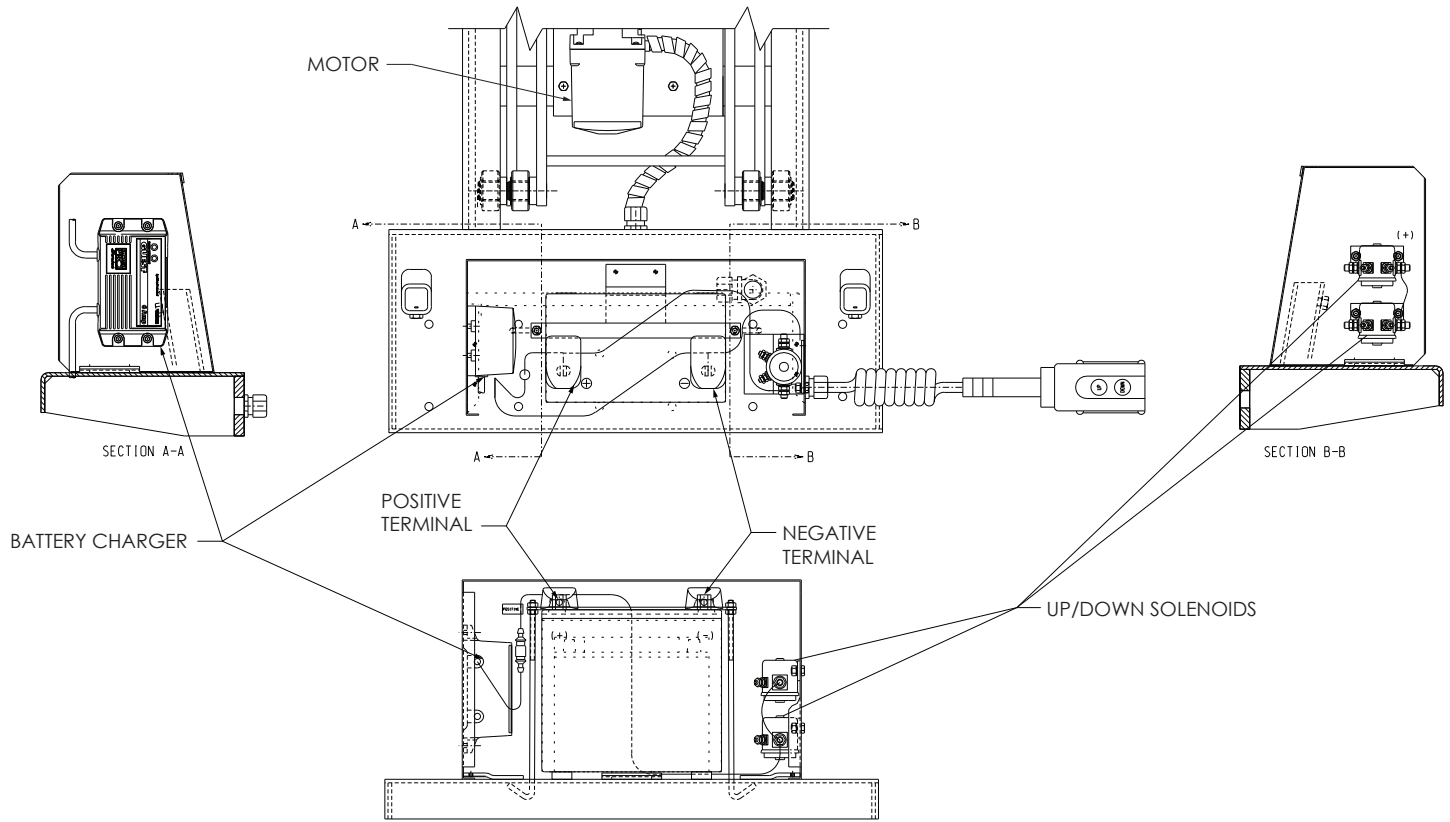
9. Electrical

Primary Voltage	12 VDC
Control Voltage	12 VDC
Battery	AGM Sealed Lead Acid Battery Nominal voltage: 12 VDC Nominal capacity @ 20 hour rate: 55 Amp-Hours Group Size: 24
Motor	1/3 HP @ 3450 RPM (12 VDC) intermittent duty

9.1 Wiring Schematic



9.2 Electrical Arrangement



9.3 Battery Charging



WARNING

Risk of explosive gases. Always charge in a well ventilated area. Keep open flames, sparks, and metal objects away from the battery at all times.

Do not use with an extension cord or adapter.

Always wear proper personal protective equipment when working on or around the battery.

This charger must only be used to charge lead acid or AGM type batteries. Use with other battery types may cause the battery to explode and cause severe injury or death.

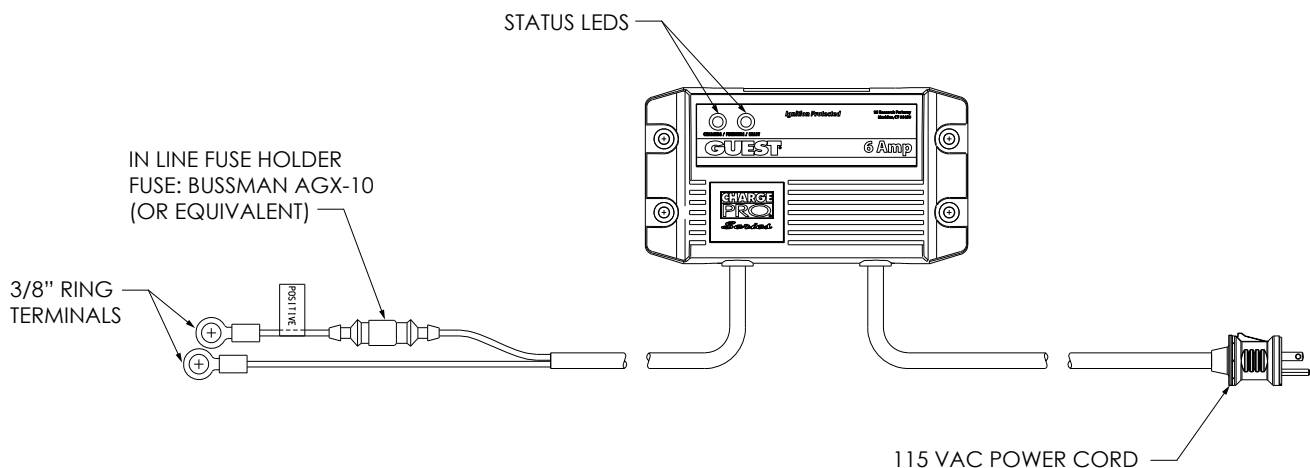
Always unplug the charger from the outlet before performing any maintenance on the battery.

This charger must not be exposed to dirty or wet conditions.

Do not operate the lift while the charger is plugged in.

Charger Description	Automatic 3-Stage On-Board industrial battery charger
AC Input:	115 V, 1 Ph, 60 Hz @ 1.6 Amps
DC Output:	12 VDC @ 6 Amps

Led Indicators		
On	Off	Condition
Red	Green	Charger is in the “Soft Start” or “Bulk Stage” and the battery is being charged.
Red & Green	None	Charger is in the “Absorption Stage” and delivering constant voltage to the battery.
Green	Red	The charger has moved to the “Float Stage” and is topping off the charge to the battery and keeping the battery ready to use. The green light indicates your battery is ready to use.



10. Hydraulics

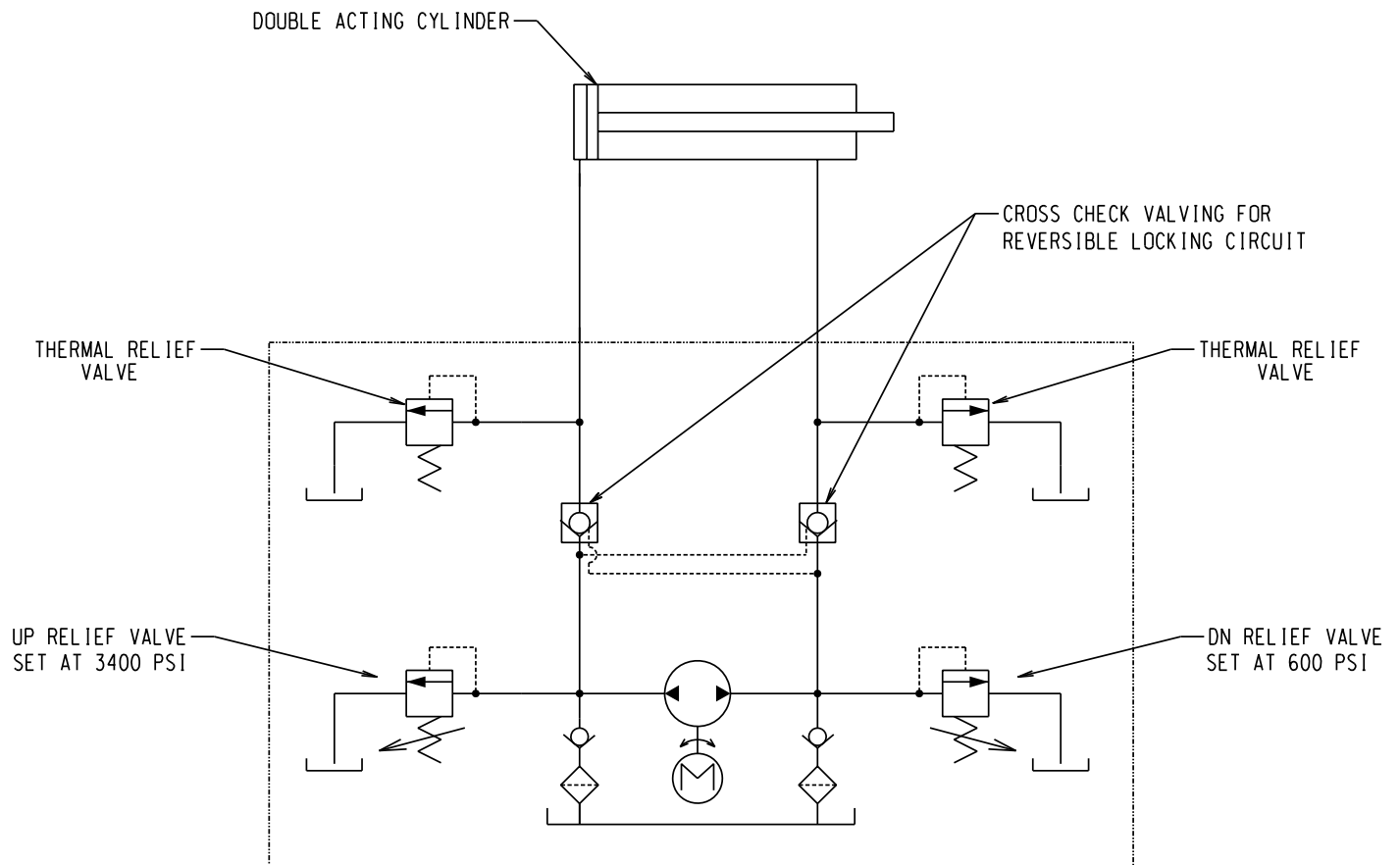
10.1 Hydraulic Fluid

The hydraulic fluid provided with this lift is Conoco AW32. Use only the same or other compatible fluid when adding or replacing fluid.

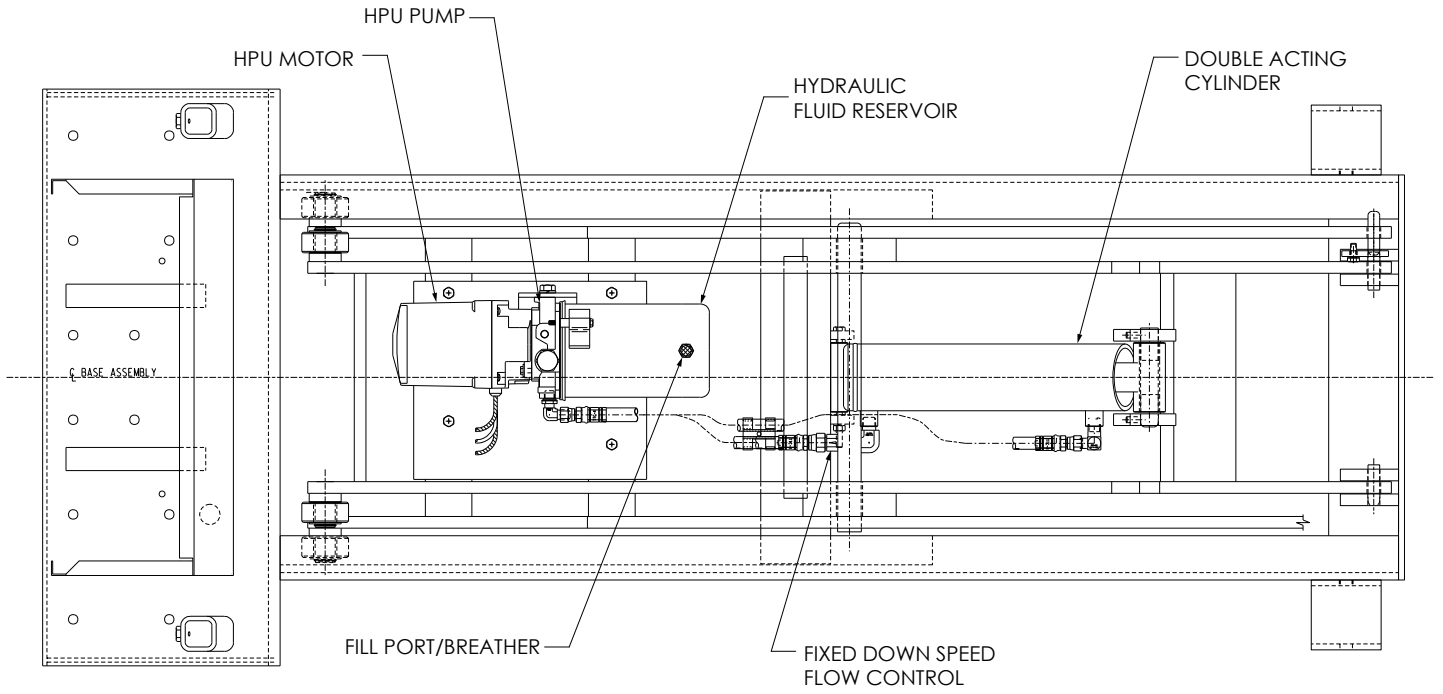
The hydraulic fluid reservoir is to be full (approximately 3/4" below the fill plug) only when the lift is in the fully lowered position.

The hydraulic fluid should be transparent with no burnt or rancid smell.

10.2 Hydraulic Schematic



10.3 Hydraulic Arrangement



11. Warranty & Contact Information

Southworth Products Corp. warrants this product to be free from defects in material or workmanship for the duration of the warranty period. Warranty periods vary and begin on the date of shipment. For specific warranty information, contact Southworth Products with the machine's serial number.

Any claim for breach of this warranty must be received in writing by Southworth within the warranty period. Warranties shall not cover failure or defective operation, caused by misuse, misapplication, negligence or accident, exceeding recommended capacities, or any alteration or repair of the item purchased which has not been authorized by Southworth. Except as set forth herein, Southworth makes no other warranties, express or implied, including THE WARRANTIES OF MERCHANTABILITY AND OF FITNESS FOR A PARTICULAR PURPOSE, all of which ARE HEREBY EXCLUDED.

Southworth's obligations under any warranty or for any other damages which may arise under any sale, agreement, or contract, are limited to the replacement or repair of defective components at its factory or another location at Southworth's discretion. This is buyer's sole remedy under any such warranty, sale, agreement, or contract. Southworth will not be liable for consequential, incidental, exemplary, or punitive damages of any kind resulting from a breach of any warranty that it has provided or for breach of any term of any sale, agreement, or contract. Any warranty may be altered only in writing by Southworth.

Southworth meets the labeling requirements of California's Proposition 65. Southworth makes no warranty or representation with respect to the compliance of any product with other State or local safety or product standard codes and any failure to comply with such codes shall not be considered a defect of material or workmanship under this warranty. Southworth shall not be liable for any direct or consequential damages arising out of such non-compliance.

All commodities, software, or technology purchased from Southworth are subject to the export and re-export control laws and regulations of the United States, including but not limited to the Export Administration Regulations ("EAR") and Department of the Treasury Office of Foreign Asset Controls ("OFAC") Regulations. Southworth expects all distributors and customers to comply with these laws and regulations. Without limiting the foregoing, the distributor/customer cannot, without proper authorization from the applicable United States Government Agency, export, re-export, or transfer any commodity, software, or technology purchased from Southworth, either directly or indirectly, to any entity, country, or national of any country in breach of such laws and regulations. Furthermore, Southworth expects that the distributor/customer shall indemnify and hold harmless Southworth from and against any claim, proceeding, action, fine, loss, cost and damages arising out of or relating to any noncompliance with export control regulations by distributor/customer, and distributor/customer are expected to compensate Southworth for all losses and expenses resulting thereof, unless such noncompliance was clearly not caused by fault of the distributor/customer.

SOUTHWORTH PRODUCTS CORP.
P.O. Box 1380, Portland, ME 04104-1380
Telephone: 800-743-1000 • 207-878-0700
Fax: 207-797-4734
www.SouthworthProducts.com

SOUTHWORTH